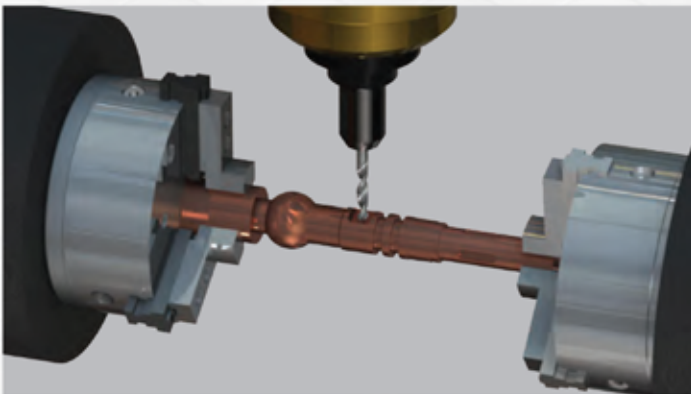


- **CAMWorks Mill-Turn** provides a programming solution for mill-turn or multi-tasking machines. Mill-turn machines are capable of performing turning and milling operations in a single setup that can increase accuracy, reduce part handling, and increase production



- **Automatic Feature Recognition (AFR)** automatically recognizes machinable turned features on native Solid Edge part models or on solid models imported via IGES, SAT, etc. AFR analyzes the part shape and attempts to define the most common machinable features. Feature-based machining reduces programming time by as much as 90% compared to traditional CAM software. Features can be modified to add or remove elements, add or delete areas to be machined or to limit the toolpath.

- **Interactive Feature Recognition (IFR)** provides an intuitive and easy-to-use wizard interface for inserting user-defined features

- **Wrapped Feature Support** for OD pockets, bosses, slots, etc.

- **Full Model to Toolpath Associativity** automatically updates the toolpaths and CAM data to design changes made to the model

- **Knowledge-Based Machining** allows you to capture and reuse your programmers' and machinists' best programming practices using the patented TechDB (Technology Database). The TechDB reduces

programming time by as much as 80% and provides a company-owned database to store employee knowledge and skill.

- **Seamless Integration Inside Solid Edge** ensures that the design model and CAM model share a common interface with the same intuitive menus, toolbars, and view manipulation, thus allowing users to quickly master the software. The CAM data is integrated and stored along with the CAD model automatically in a single file.

- **New Synchronization Manager*** provides an easy interface for synchronizing tools on both front and rear turrets for simultaneous machining on either the main spindle or sub-spindle, or both spindles

- **New Sub-Spindle Operation Builder*** allows for easy sub-spindle or tailstock positioning. Custom sub-spindle operations can be created, modified and saved for later use

- **Gang Tool Support** for tool holders with sub-stations, includes multiple tool offset support and custom tool graphics support for accurate simulation and verification of toolpaths

- **C-, Y-, and B-Axis Machining** cycles are available for machining features at compound angles and on the Face, ID, and OD of a part

- **Complex Multi-Axis Milling:** 2.5-Axis, 3-Axis, and 4-/5-Axis simultaneous milling operations can be created automatically, including automatic roughing, finishing, thread milling, and



single-point (drilling, boring, reaming, tapping) cycles

- **Automatic Turning Cycles:** Turning operations include automatic roughing, finishing, grooving, threading, cutoff, and single-point (drilling, boring, reaming, tapping) cycles
- **Cutter Compensation Support** for Turn, Face, and Bore Rough operations with canned cycles; Turn Face, Bore, and Groove Finish operations; and Cutoff
- **Canned Cycle Support** for single-point operations, OD/ID rough turning and facing operations, OD/ID threading, and more
- **Simulation and Verification** allows you to easily and accurately step through or continuously simulate toolpaths with speed control and optional stop capabilities. A model to validate program accuracy, so you can be sure you'll cut it right the first time.
- **Realistic Simulation** including main and sub-spindle operations (transfer, sub-spindle clamping, etc.) custom tool support with feed control and the ability to simulate section views

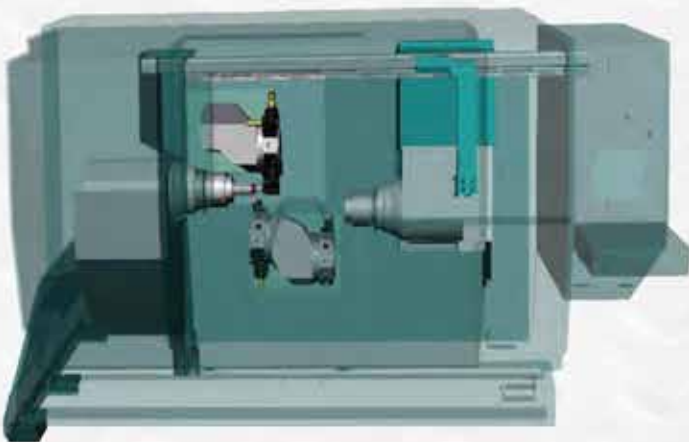


- **Post Processor Support** for all major machines including 2- and 4-Axis support for either single or dual turret lathes, as well as multiple spindle support for sub-spindle machines

**Advanced Multi-Function license required*

CAMWorks Modules are available in a variety of bundles or combinations:

- 2.5-Axis Mill
- 3-Axis Mill
- Multi-Axis Machining
- Mill Turn
- 2- and 4-Axis Turning
- Wire EDM
- CAMWorks VoluMill™
- CAMWorks Virtual Machine



Hello, I'm from HCL's Engineering and R&D Services. We enable technology led organizations to go to market with innovative products and solutions. We partner with our customers in building world class products and creating associated solution delivery ecosystems to help bring market leadership. We develop engineering products, solutions and platforms across Aerospace and Defense, Automotive, Consumer Electronics, Software, Online, Industrial Manufacturing, Medical Devices, Networking & Telecom, Office Automation, Semiconductor and Servers & Storage for our customers.

For more details contact: camworks.inquiries@hcl.com
Visit our website: <http://www.camworks.com>

HCL

Contact us

US: +1.480.367.0132 | Europe: +49.711.49.039.730 | APAC: +91.22.67056880