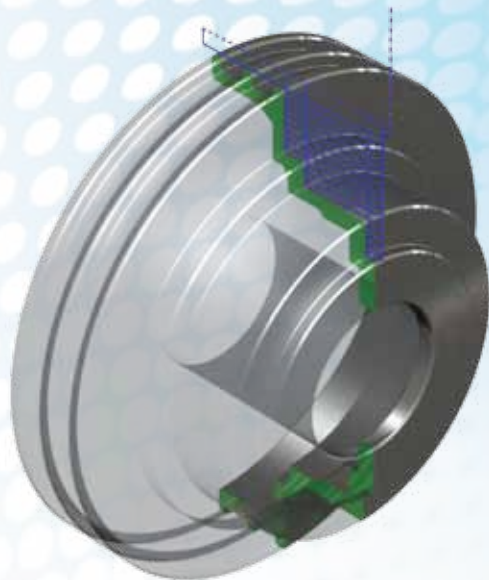
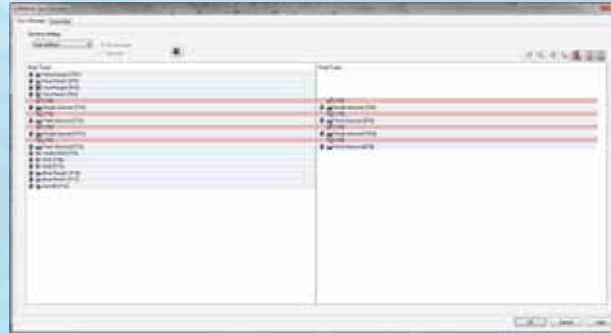


CAMWorks Turning

- **Automatic Feature Recognition (AFR)** automatically recognizes machinable turned features on native SolidWorks part models or on solid models imported via IGES, SAT, etc. Feature based machining reduces programming time by as much as 90% compared to traditional CAM software.
- **Interactive Feature Recognition (IFR)** provides an intuitive and easy to use wizard interface for inserting user defined features.
- **Full Model to toolpath associativity** automatically updates the toolpaths and CAM data to design changes made to the model.



- **Seamlessly integrated** inside of SolidWorks means that the design model and CAM model are one in the same and a similar interface with the same intuitive menus, toolbars and view

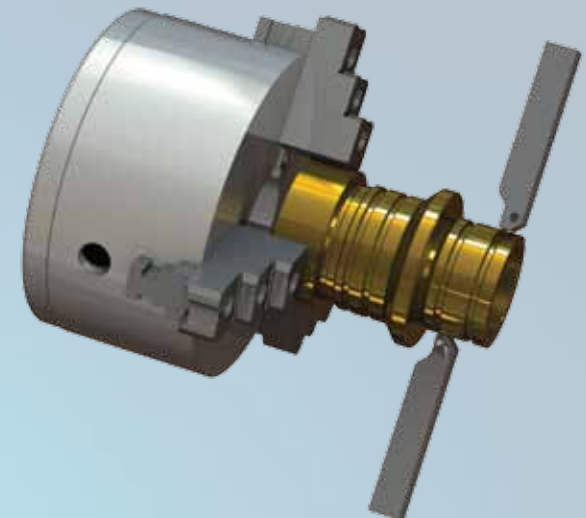


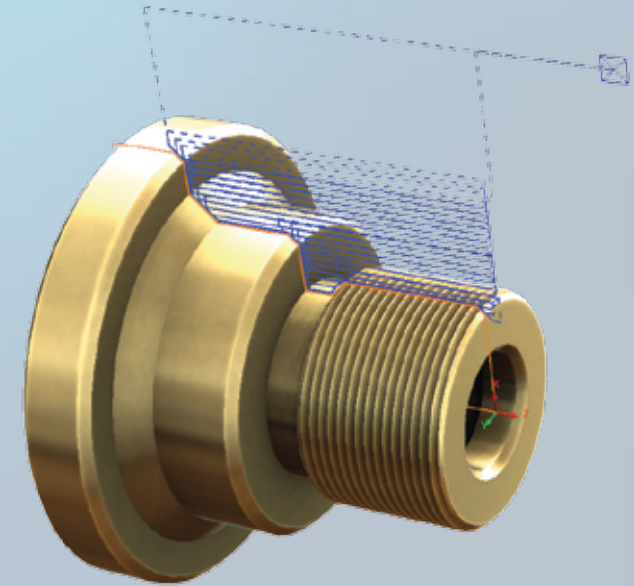
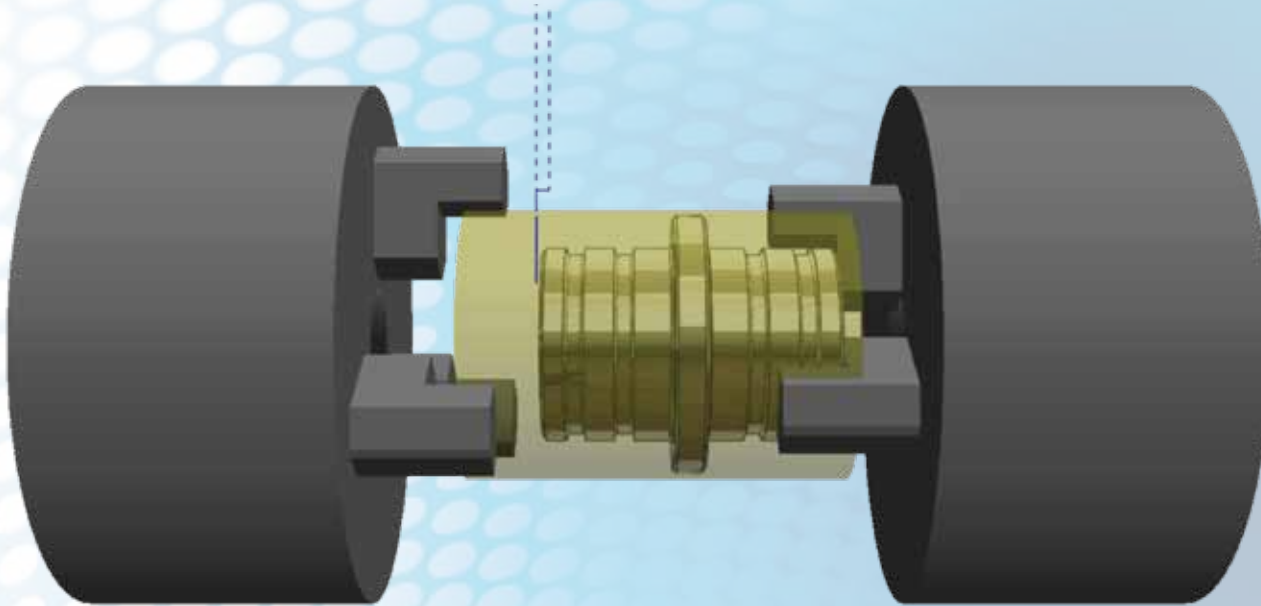
manipulation, allows users to quickly master the software.

- **Knowledge-based machining** allows you to capture and reuse your programmers' and machinists' best practices using the Technology Database, reducing programming time by as much as 80% and provides a company owned database to store employee knowledge and skill.
- **New Synch Manager*** provides an easy interface for synchronizing tools on both front and rear turrets for simultaneous machining on either the main or sub-spindle, or both spindles.
- **New Sub-Spindle Operation Builder*** for easy sub-spindle or tailstock positioning. Custom sub-spindle operations can be created, modified and saved for later use.
- **2 and 4 Axis Turning** Includes automatic roughing, finishing, grooving, threading, cutoff and single point (drilling, boring, reaming, tapping) cycles.
- **Accurate, first-time right machining** The CAMWorks cutting cycles provide fast, error-free toolpaths to insure first-time right programs that

reduce setup time and cycle times for single turret and dual turret lathes.

- **Cutter compensation support** for Turn, Face and Bore Rough operations with canned cycles including Turn, Face, Bore and Groove Finish operations; and Cutoff.
- **Canned Cycle support** for drilling, rough OD/ID turning and facing operations, OD/ID threading canned cycles, and more.
- **Gang tool support** for tool holders with sub-stations, includes multiple tool offset support and custom tool graphics support for accurate simulation and verification of toolpath.
- **Stock Manager** Define stock automatically, using a bounding cylinder and easily allow users to add stock, define stock using a revolved sketch, 2D WIP (Work in Process) file or from an STL file to support of castings and forgings as stock.





- **User defined inserts and tool holders** allows users to build custom tools and CAMWorks simulation also provides full toolpath simulation and collision detection support for custom, user defined tools, including gang tools.
- **Updated Step-through toolpath manager** for easy display and step through of toolpath

including synchronous operations with rear and front turrets.

- **Realistic Simulation display** including Main and Sub-Spindle operations (Transfer, Sub spindle clamping, etc.) Metallic materials with feed control and the ability to simulate section views are included.

- **Post Processor support** for all major machines including two and four axis support for either single or dual turret lathes, as well as multiple spindle support for sub-spindle machines.

**Advanced Multi-Function license required.*



Hello, I'm from HCL's Engineering and R&D Services. We enable technology led organizations to go to market with innovative products and solutions. We partner with our customers in building world class products and creating associated solution delivery ecosystems to help bring market leadership. We develop engineering products, solutions and platforms across Aerospace and Defense, Automotive, Consumer Electronics, Software, Online, Industrial Manufacturing, Medical Devices, Networking & Telecom, Office Automation, Semiconductor and Servers & Storage for our customers.

For more details contact: inquiries@camworks.com
Visit our website: <http://www.camworks.com>

Contact us

US: +1.480.367.0132
Europe: +49.711.49.039.730
APAC: +91.22.67056880

HCL