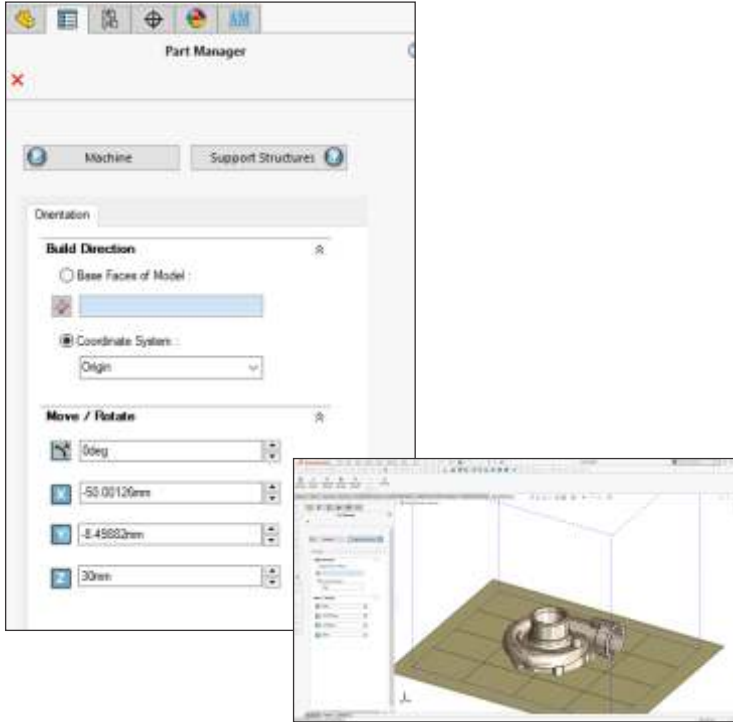


# CAMWorks® Additive Manufacturing

## Powered by Materialise!

powered by   
**materialise**



CAMWorks® Additive Manufacturing is the first hybrid (additive and subtractive) manufacturing solution available for SOLIDWORKS®. Additive metal manufacturing (3D printing) is here and CAMWorks is the first to combine cutting edge additive manufacturing, including automatic support structure generation, with the state-of-the-art intelligent subtractive CNC machining capabilities of CAMWorks.

Thanks to its seamless integration with SOLIDWORKS, the design and manufacturing model become one in the same. All of the additive and subtractive manufacturing data is stored directly inside the SOLIDWORKS part & assembly files, is full associative with the model, and updates automatically to design changes!

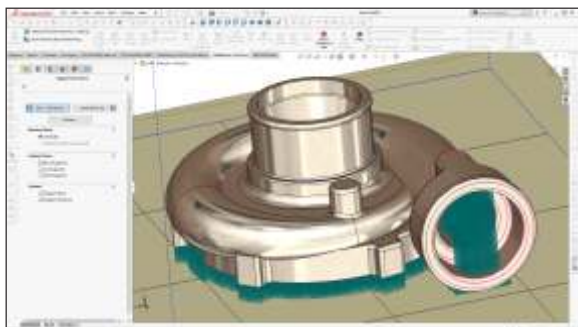
CAMWorks seamless integration and automation are just two of the reasons SOLIDWORKS selected CAMWorks to power the new SOLIDWORKS® CAM included in every new seat of SOLIDWORKS and all of the SOLIDWORKS CAM data is fully compatible with CAMWorks.

CAMWorks Additive Manufacturing uses the 3D printed part as stock, machines the faces where the support structures are attached, and recognizes machinable features... all automatically!

**“CAMWorks Additive Manufacturing is the first intelligent additive and subtractive manufacturing solution available for SOLIDWORKS”**

- Mike Buchli,  
*Product Manager for SOLIDWORKS*

## CAMWorks Additive Manufacturing at a Glance



- The only fully integrated hybrid (additive/subtractive) solution available for SOLIDWORKS
- World leading Additive Manufacturing powered by Materialise, includes automatic support structure generation CAMWorks automatically recognizes support structures and machinable features and can automatically program the Subtractive machining operations
- The data for both Additive and Subtractive Manufacturing is fully associative and stored in the SOLIDWORKS models. The Additive and Subtractive manufacturing data updates automatically to design changes
- The most advanced integrated solution available for hybrid (additive/subtractive) manufacturing

**CAMWorks is the most advanced CAM solution available and is fully integrated within SOLIDWORKS. CAMWorks uses the same SOLIDWORKS geometry to generate tool paths to ensure that the part you've modeled is the same part you machine. CAMWorks seamless integration and automation are just two of the reasons SOLIDWORKS chose CAMWorks to power the new SOLIDWORKS CAM and all of the SOLIDWORKS CAM data is fully compatible with CAMWorks.**

**CAMWorks is easy to use & easy to learn !**



Image: © 2018, Materialise NV. All rights reserved.

### **Some of the other benefits of CAMWorks include:**

- As much as a 90% reduction in programming time
- Up to 80% reduction in cycle time
- Capture your best practices and knowledge based machining to automate CNC programming
- Promote standardization and consistency
- Reduces time-to-market for new products and avoid rework and scrap
- Increase your profit, reduce delivery time and improve your quality

### **CAMWorks Solutions:**

- **CAMWorks Standard** - Full 2.5 axis part and assembly milling, 4 & 5 axis indexing, rotary and undercut machining, Automatic Feature Recognition, Feature, Knowledge & Tolerance Based Machining, and full 2 axis turning with sub spindle support, for CNC lathes
- **CAMWorks Milling Professional** - All of the CAMWorks Standard features and advanced 3 axis rough & finish milling and Mill - Turn capabilities
- **CAMWorks Turning Professional** - All of the CAMWorks Standard features and CAMWorks Mill-Turn capabilities, Sync Manager for synchronized machining, and Virtual Machine Standard for machine simulation
- **CAMWorks Premium** - All of the features in all of the system listed above and advanced 4 & 5 axis simultaneous milling is also included

### **About CAMWorks :**

CAMWorks the next generation best-in-class CNC programming solution that enables users to program smarter and machine faster was originally introduced in 1997. This state-of-the-art solids CAM product is designed for product-oriented manufacturing companies, and is available for machining centers, turning, mill/turn, and wire EDM applications. CAMWorks with Machining Intelligence is the most advanced CAM programming software available for getting products to market faster, more efficiently and within budget.



Hello, I'm from HCL's Engineering and R&D Services. We enable technology led organizations to go to market with Innovative products and solutions. We partner with our customers in building world class products and creating associated solution delivery ecosystems to help bring market leadership. We develop engineering products, solutions and platforms across Aerospace and Defense, Automotive, Consumer Electronics, Software, Online, Industrial Manufacturing, Medical Devices, Networking and Telecom, Office Automation, Semiconductor and Servers & Storage for our customers.

#### **For More Details :**

Website : [www.camworks.com](http://www.camworks.com)

E-mail : [camworks.inquiries@hcl.com](mailto:camworks.inquiries@hcl.com)

#### **Contact us :**

US : +1.480.367.0132

Europe : +49.711.49.039.730

APAC : +91.22.6705.6880